

SMD Type Crystal Resonators

SMD-49, SMD-49TA/TB



SMD-49

■ Features

- Surface mount type of AT-49 crystal resonators.
- Highest reliability due to complete hermetic seal with metal package.
- Good for automatic mounting and reflow soldering.



SMD-49TA/TB

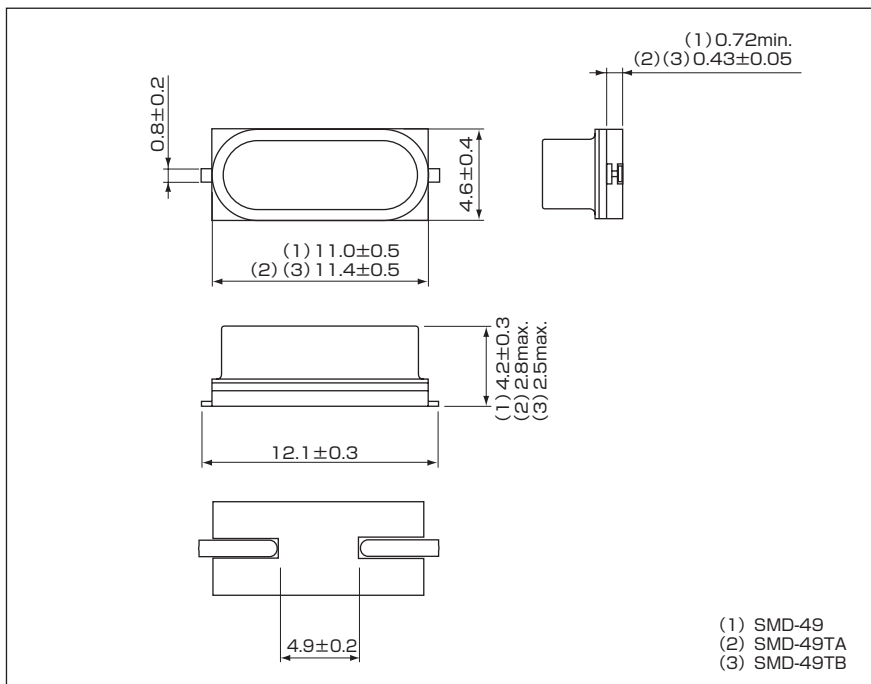
■ Generic Specification

Item \ Type	SMD-49	SMD-49TA	SMD-49TB
Frequency Range	3.2~70.0MHz	3.579~16.000MHz	16.000~70.000MHz
Vibration Mode	Fundamental, 3rd overtone		
Load Capacitance	Series 12pF, 16pF, 20pF, 32pF (Fund.) 8pF, 10pF, 12pF, 16pF (3rd)		
Drive Level	Fund : 10 μW (300 μW max.) 3rd : 50 μW (1mW max.)		
Frequency Tolerance	±50×10 ⁻⁶ , ±100×10 ⁻⁶ (at 25°C)		
Series Resistance	40~300Ω	40~100Ω	
Frequency Characteristics over Temperature	±50×10 ⁻⁶ , ±100×10 ⁻⁶ / -10~+60°C(Ref. to 25°C)		
Storage Temperature Range	-30~+80°C		
Aging	±5×10 ⁻⁶ max./year		

Packing Unit : SMD-49 1000pcs./reel
SMD-49TA/TB 2000pcs./reel

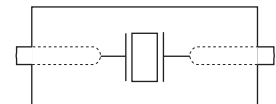
Consult our sales representative for other specifications or special specifications.

■ Dimensions [mm]



■ Internal Connections

<Top View>



■ Recommended Land Pattern [mm]

